

DUAL SCHOTTKY DIODE BRIDGE

- MONOLITHIC ARRAY OF EIGHT SCHOTTKY DIODES
- HIGH EFFICIENCY
- 4A PEAK CURRENT
- LOW FORWARD VOLTAGE
- FAST RECOVERY TIME
- TWO SEPARATED DIODE BRIDGES

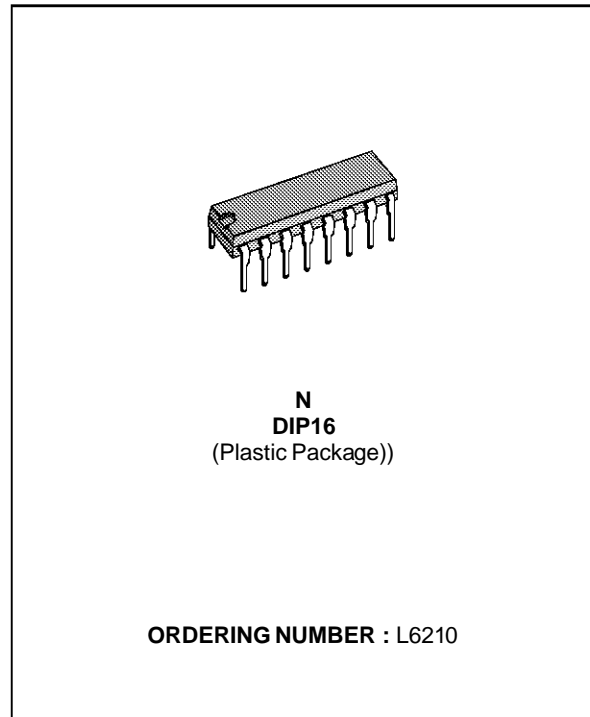
DESCRIPTION

The L6210 is a monolithic IC containing eight Schottky diodes arranged as two separated diode bridges.

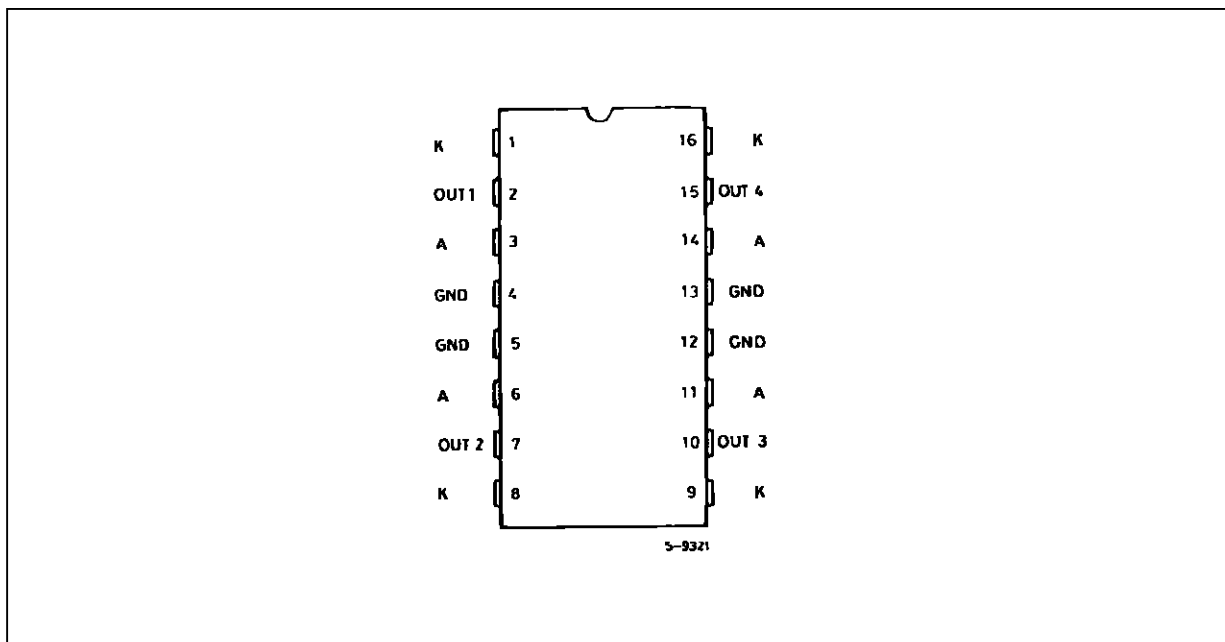
This diodes connection makes this device versatile in many applications.

They are used particular in bipolar stepper motor applications, where high efficient operation, due to low forward voltage drop and fast reverse recovery time, are required.

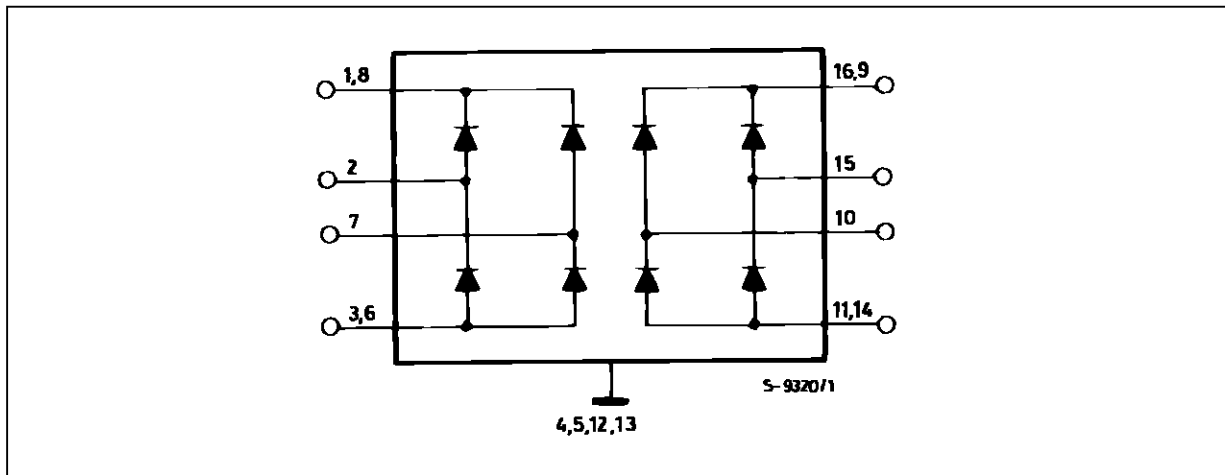
The L6210 is available in a 16 Pin Powerdip Package (12 + 2 + 2) designed for the 0 to 70xC ambient temperature range.



PIN CONNECTION (top view)



BLOCK DIAGRAM



ABSOLUTE MAXIMUM RATINGS

Symbol	Parameter	Value	Unit
I_f	Repetitive Forward Current Peak	2	A
V_r	Peak Reverse Voltage (per diode)	50	V
T_{amb}	Operating Ambient Temperature	70	°C
T_{stg}	Storage Temperature Range	-55 to +150	°C

THERMAL DATA

Symbol	Parameter	Value	Unit
$R_{th\ j-case}$	Thermal Impedance Junction-case	Max. 14	°C/W
$R_{th\ j-amb}$	Thermal Impedance Junction-ambient without External Heatsink	Max. 65	°C/W

ELECTRICAL CHARACTERISTICS ($T_j = 25^\circ\text{C}$ unless otherwise specified)

Symbol	Parameter	Test Conditions	Min.	Typ.	Max.	Unit
V_f	Forward Voltage Drop	$I_f = 100\text{ mA}$		0.65	0.8	
		$i_f = 500\text{ mA}$		0.8	1	V
		$I_f = 1\text{ A}$		1	1.2	
I_L	Leakage Current	$V_R = 40\text{ V}, T_{amb} = 25^\circ\text{C}$			1	mA

Note : At forward currents of greater than 1A, a parasitic current of approximately 10mA may be collected by adjacent diodes.

Figure 1 : Reverse Current versus Voltage

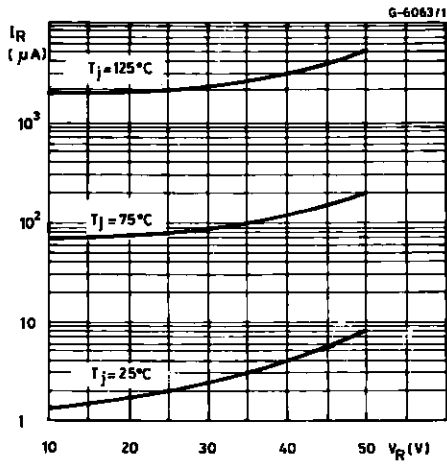
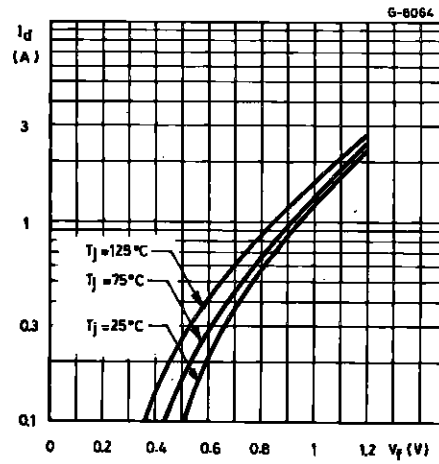


Figure 2 : Forward Voltage versus Current



MOUNTING INSTRUCTIONS

The $R_{th(j-amb)}$ of the L6210 can be reduced by soldering the GND pins to suitable copper area of the printed circuit boards as shown in figure 3 or to an external heatsink (figure 4). During soldering the pin

temperature must not exceed $260^\circ C$ and the soldering time must not be longer than 12s. The external heatsink or printed circuit copper area must be connected to electrical ground.

Figure 3 : Example of P.C. Board Copper Area which is used as Heatsink

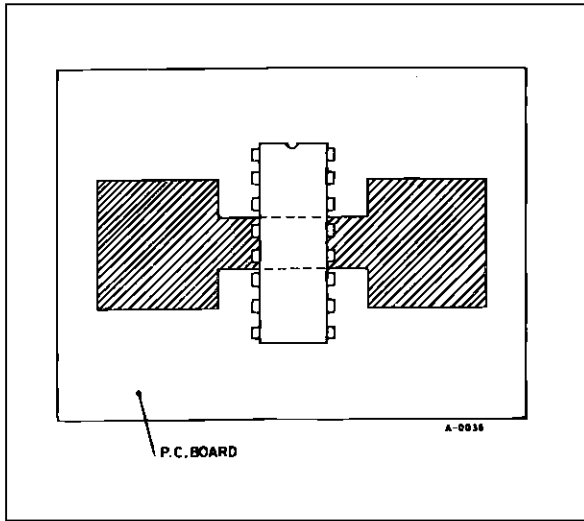
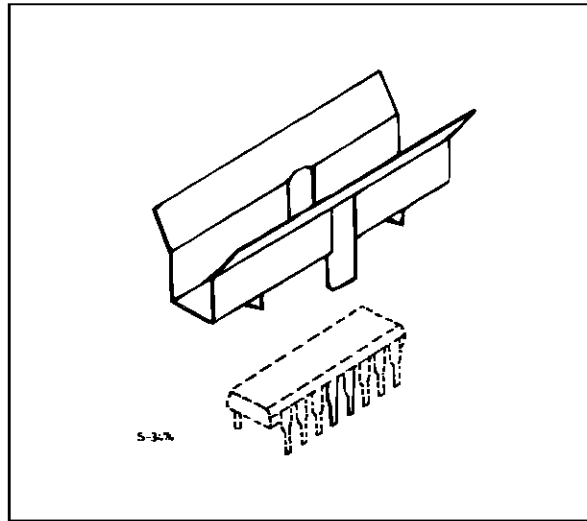
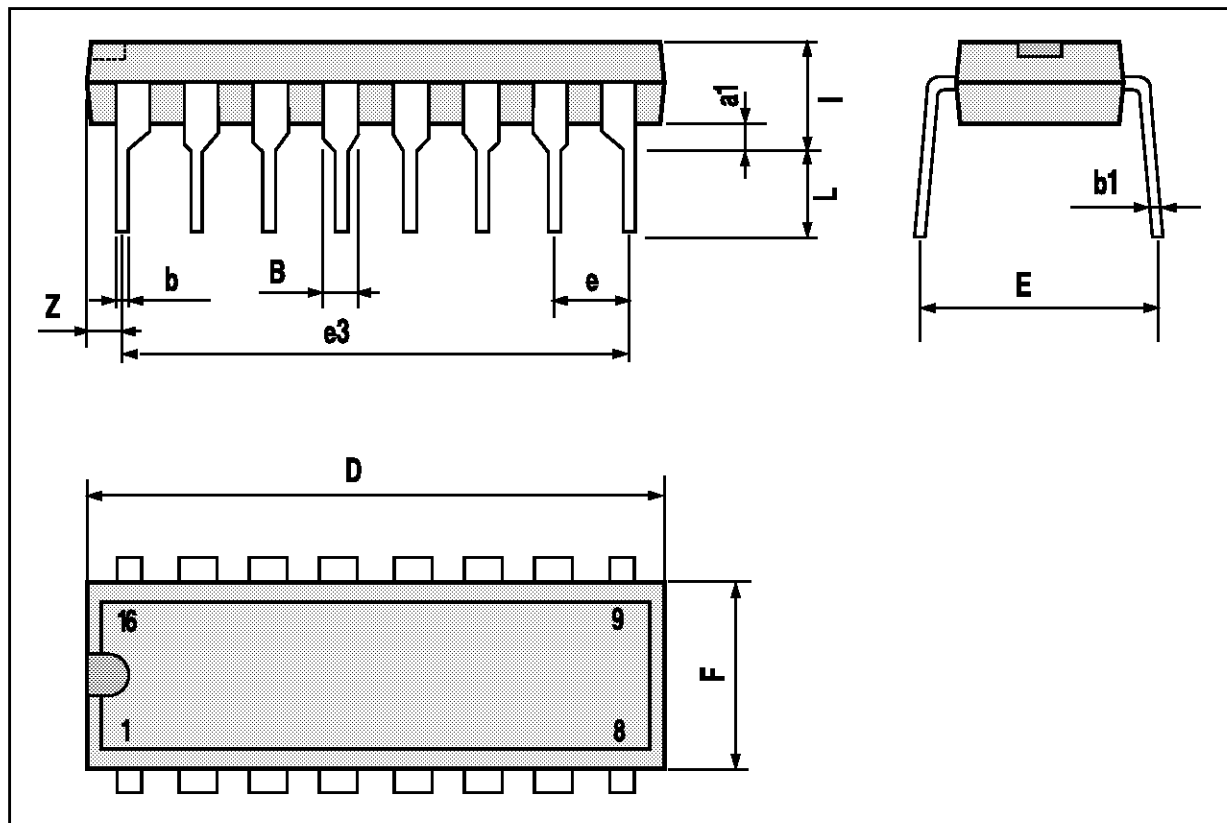


Figure 4 : Example of an External Heatsink



POWERDIP16 PACKAGE MECHANICAL DATA

DIM.	mm			inch		
	MIN.	TYP.	MAX.	MIN.	TYP.	MAX.
a1	0.51			0.020		
B	0.85		1.40	0.033		0.055
b		0.50			0.020	
b1	0.38		0.50	0.015		0.020
D			20.0			0.787
E		8.80			0.346	
e		2.54			0.100	
e3		17.78			0.700	
F			7.10			0.280
I			5.10			0.201
L		3.30			0.130	
Z			1.27			0.050



Information furnished is believed to be accurate and reliable. However, SGS-THOMSON Microelectronics assumes no responsibility for the consequences of use of such information nor for any infringement of patents or other rights of third parties which may result from its use. No license is granted by implication or otherwise under any patent or patent rights of SGS-THOMSON Microelectronics. Specifications mentioned in this publication are subject to change without notice. This publication supersedes and replaces all information previously supplied. SGS-THOMSON Microelectronics products are not authorized for use as critical components in life support devices or systems without express written approval of SGS-THOMSON Microelectronics.

© 1994 SGS-THOMSON Microelectronics - All Rights Reserved

SGS-THOMSON Microelectronics GROUP OF COMPANIES

Australia - Brazil - France - Germany - Hong Kong - Italy - Japan - Korea - Malaysia - Malta - Morocco - The Netherlands - Singapore - Spain - Sweden - Switzerland - Taiwan - Thailand - United Kingdom - U.S.A.